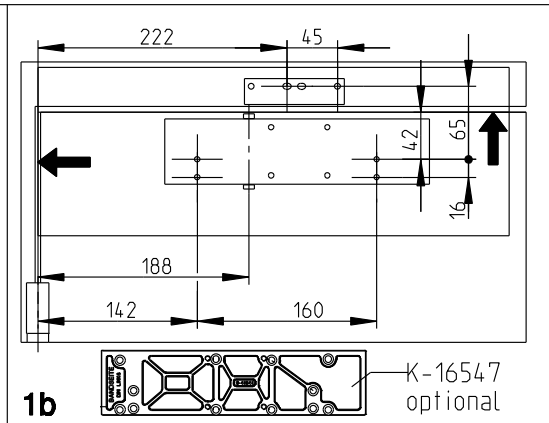
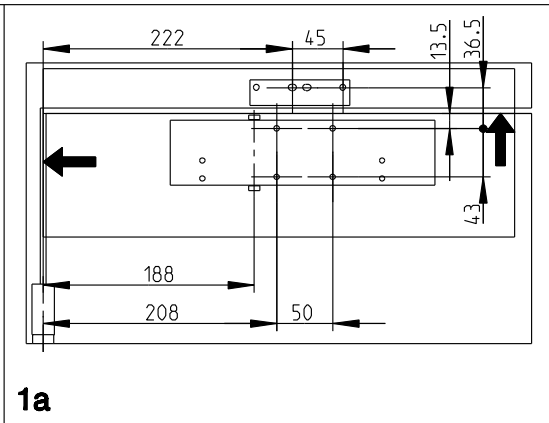
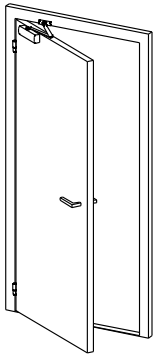


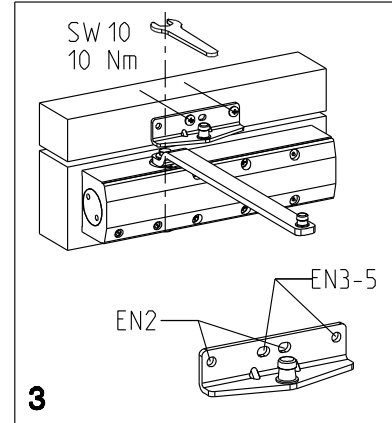
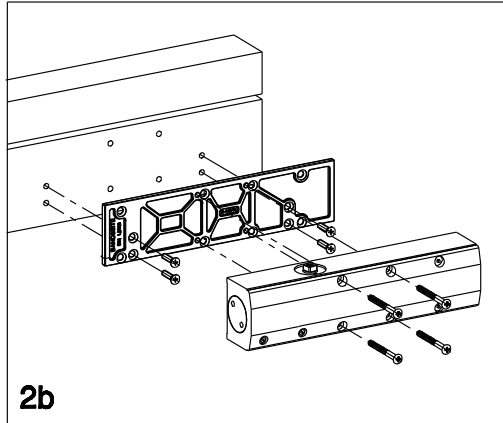
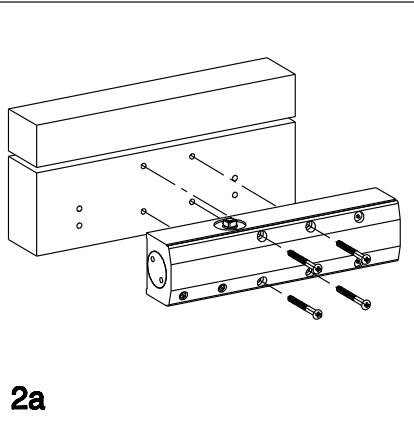
09  
Greisch-Unitas GmbH  
Baubeschläge  
Johann-Haus-Str. 3  
D-71254 Ditzingen

0432-CPD-0067 EN 1154:1996 + A1:2002 4 8 2 1 1 4  
Substance:-----  
OTS 430

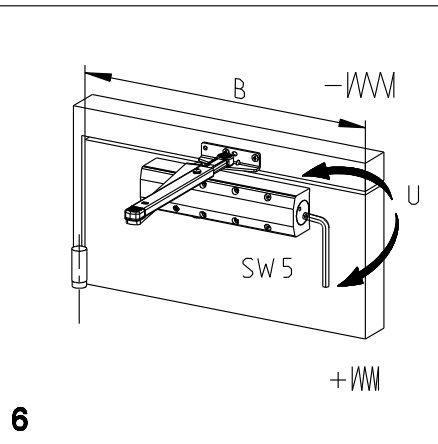
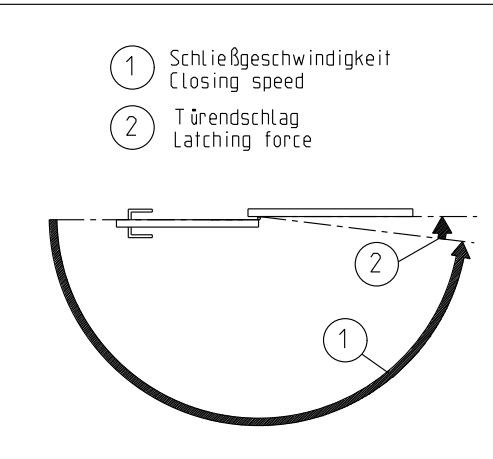
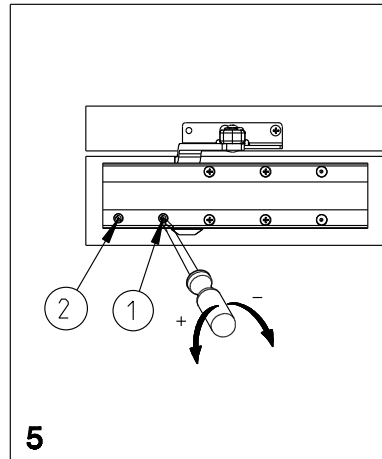
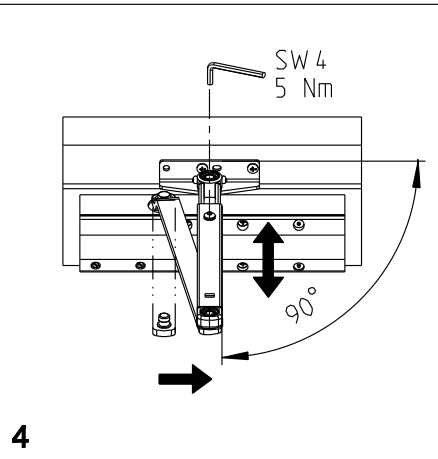


10  
Greisch-Unitas GmbH  
Baubeschläge  
Johann-Haus-Str. 3  
D-71254 Ditzingen

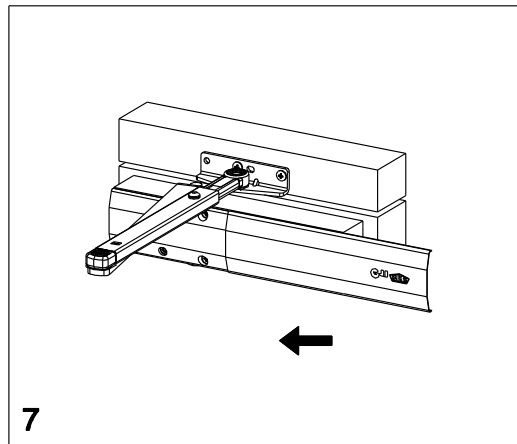
2006-OTS-0002 EN 1154:1996 + A1:2002 4 8 2 1 1 4  
Substance:-----  
OTS 430 BC



Proprietary rights apply in accordance with ISO 16016.



Schließkraft closing force		
EN	≤ B	U
2	850mm	0
3	950mm	0
4	1100mm	+ 6
5	1250mm	+16

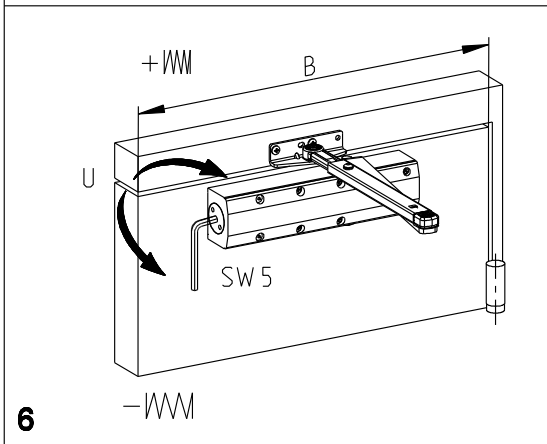
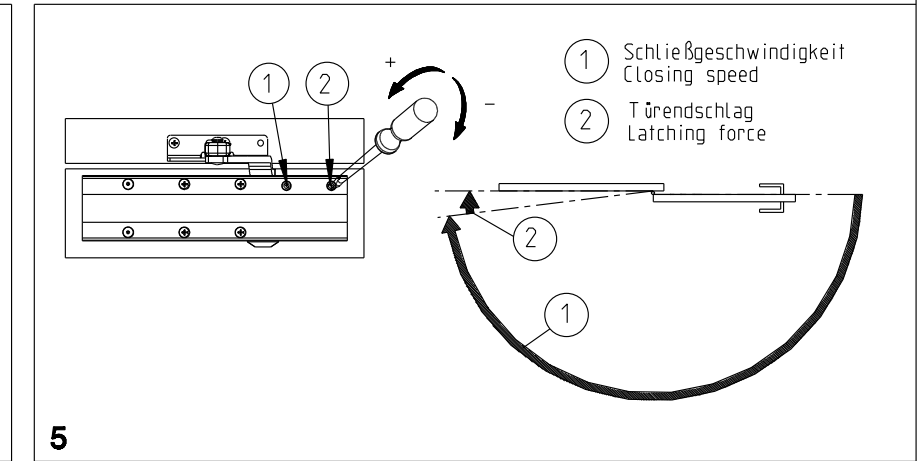
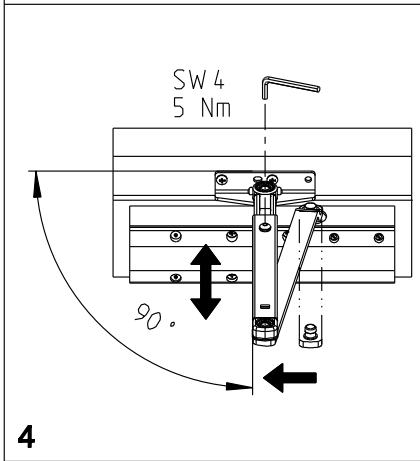
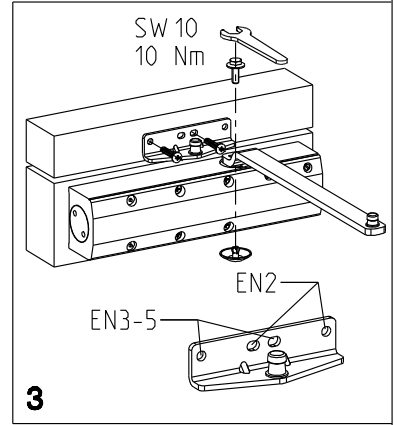
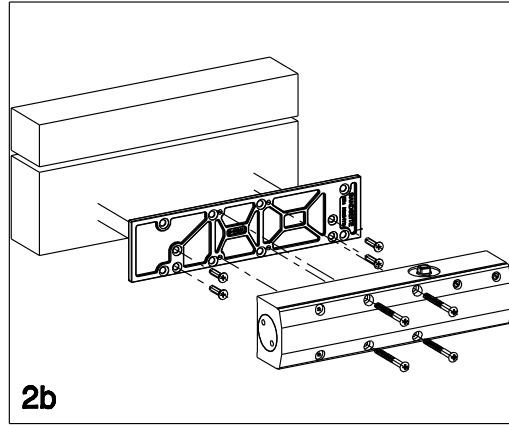
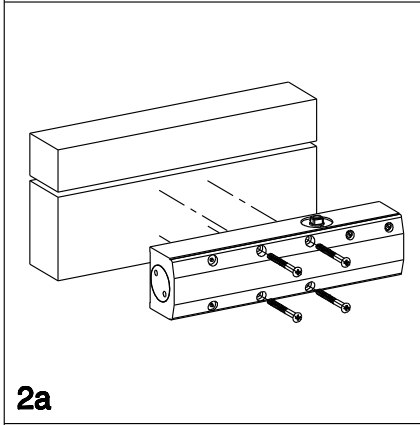
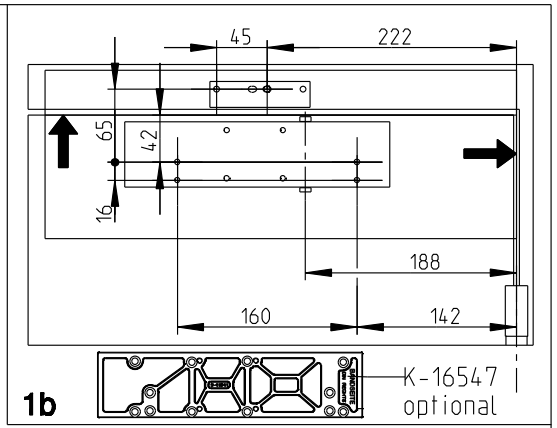
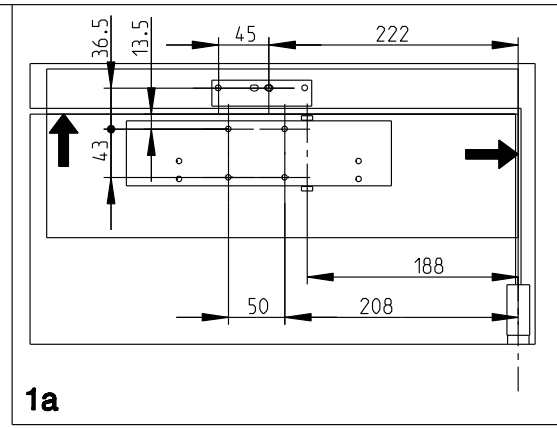
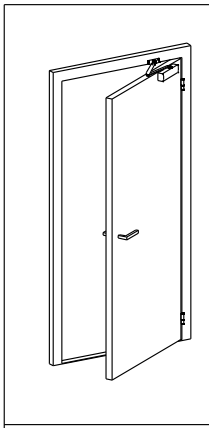


Description  
**OTS 430/ OTS 430 BC Normalmontage Bandseite, DIN links K-17051/ K-17982/ K-17983**  
**OTS 430/430 BC standard mounting on hinge side, DIN left K-17051/K-17982/K-17983**

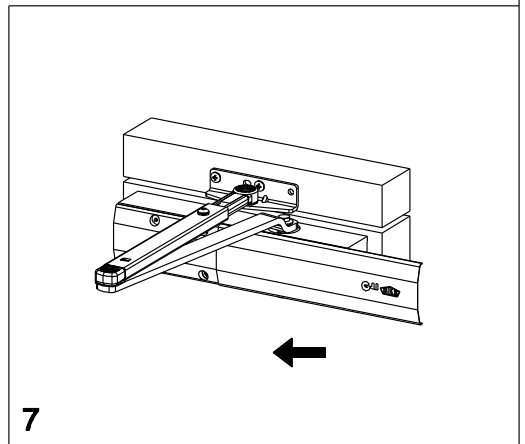
 	Release No. --	Level released	Scale %	Modification 2	Size 4	
	Mod. No. G23775	Ver. -				Si
	Replacement for M-00097, M-00112	Draft 17.02.2010				Se
				Drawing No. <b>0-45360-PF</b>	Sheet 1/4	

20080521

Proprietary rights apply in accordance with ISO 16016.



Schließkraft-closing force		
EN	≤ B	U
2	850mm	0
3	950mm	0
4	1100mm	+ 6
5	1250mm	+16

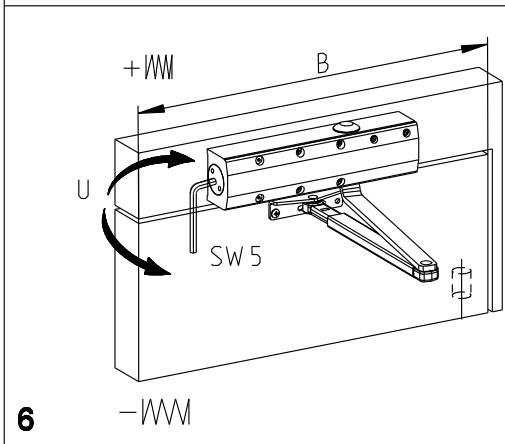
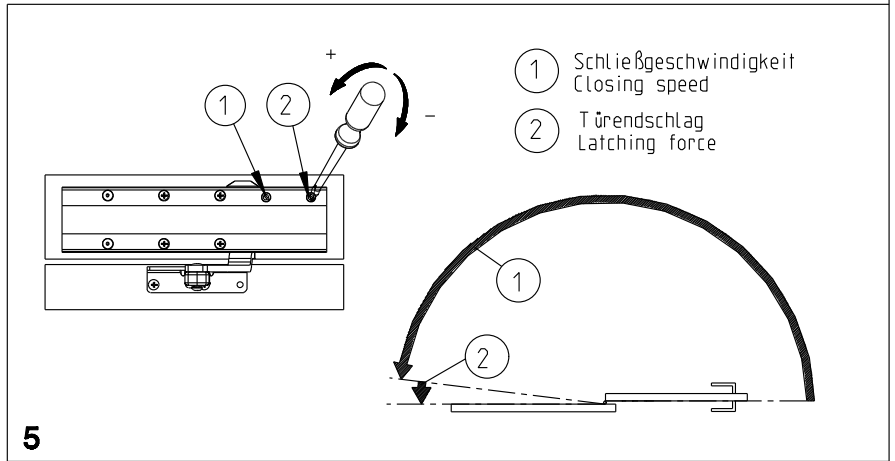
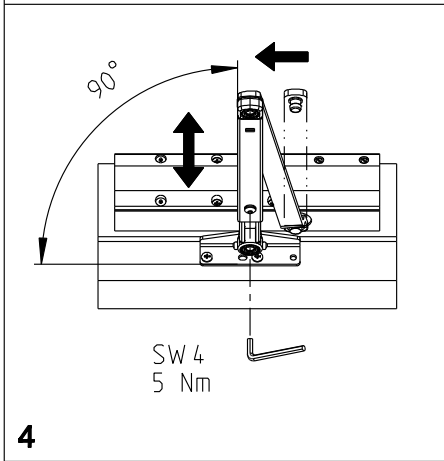
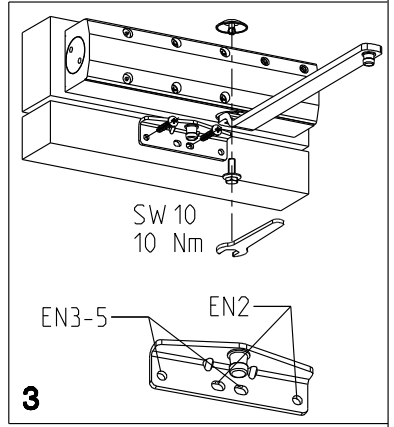
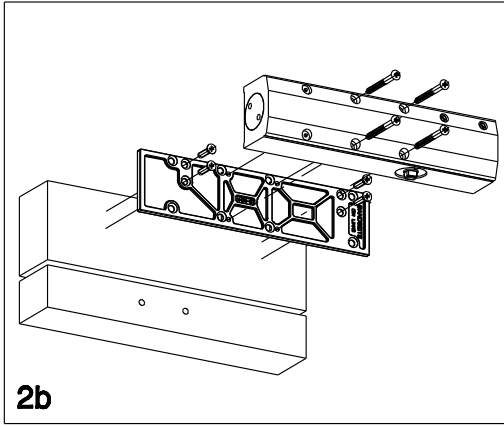
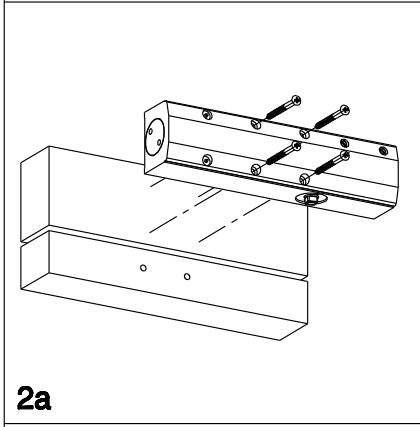
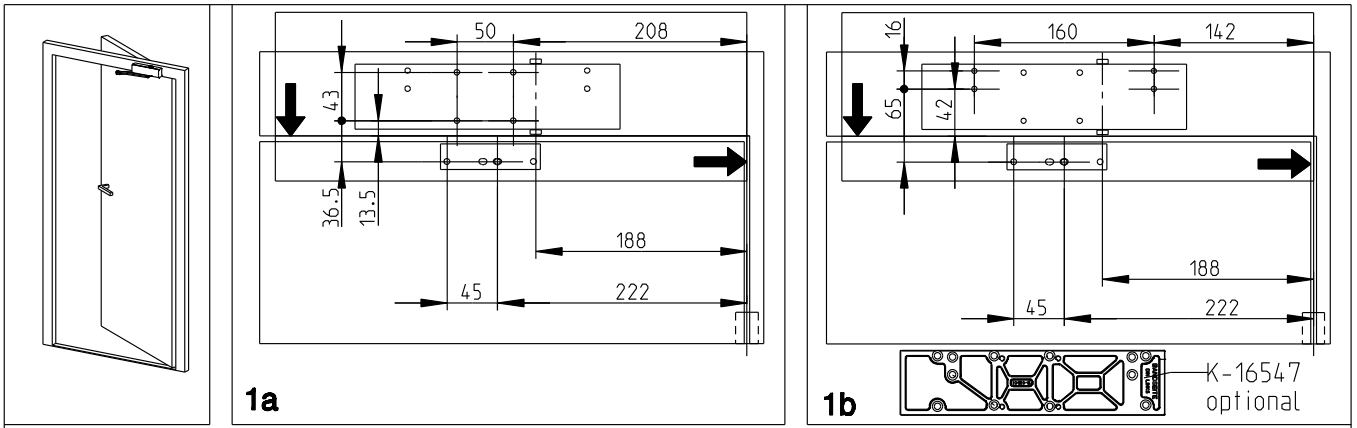


Description  
**OTS 430/ OTS 430 BC Normalmontage Bandseite,DIN rechts K-17051/ K-17982 /K-17983**  
**OTS 430/430 BC standard mounting on hinge side,DIN right K-17051/K-17982/K-17983**

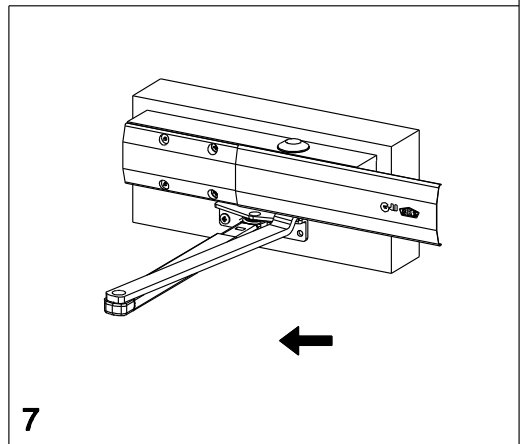
 	Release No. --	Level released	Scale %	Modification 2	Size 4	
	Mod. No. G23775	Ver. --				Si
	Replacement for M-00097, M-00112	Draft 17.02.10				Se
				Drawing No. <b>0-45360-PF</b>	Sheet 2/4	

20080521

Proprietary rights apply in accordance with ISO 16016.



Schließkraft closing force		
EN	≤ B	U
2	850mm	0
3	950mm	0
4	1100mm	+ 6
5	1250mm	+16

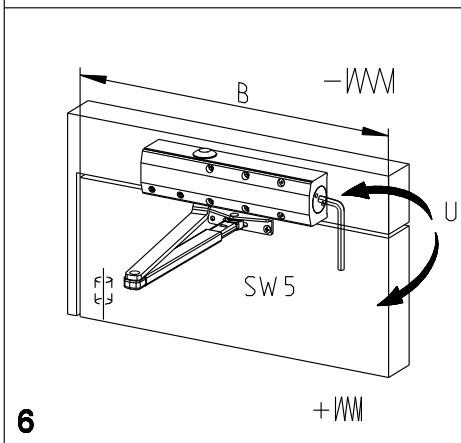
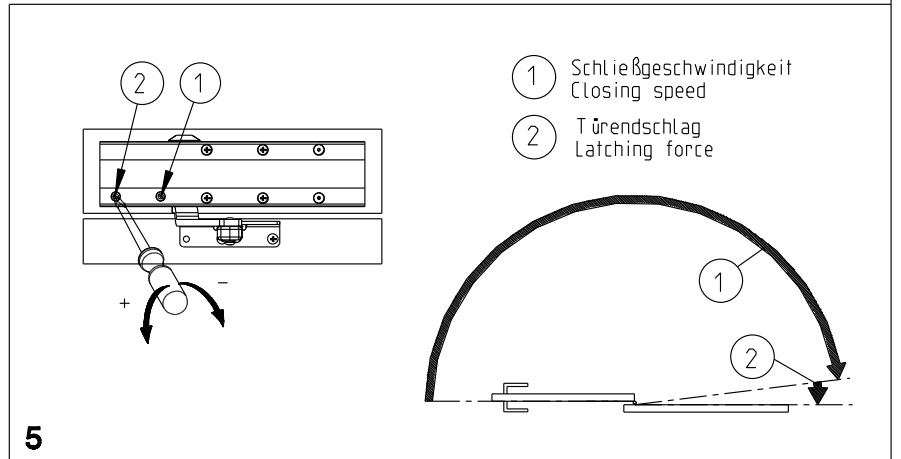
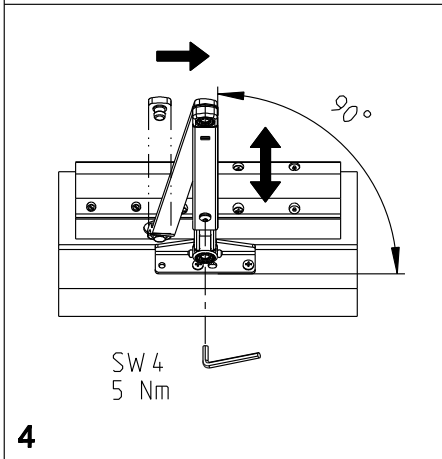
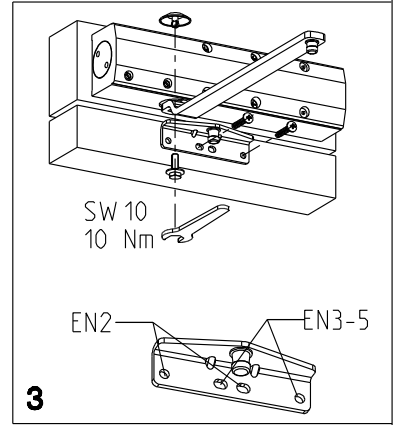
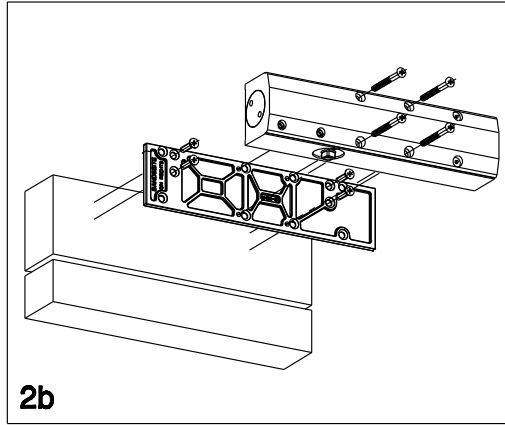
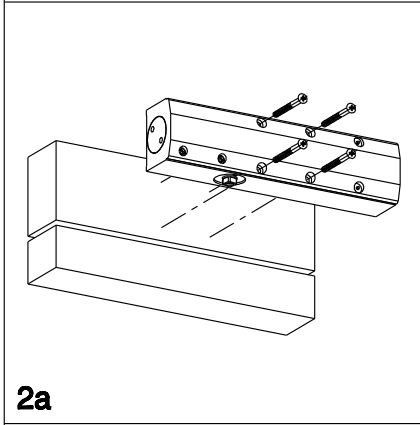
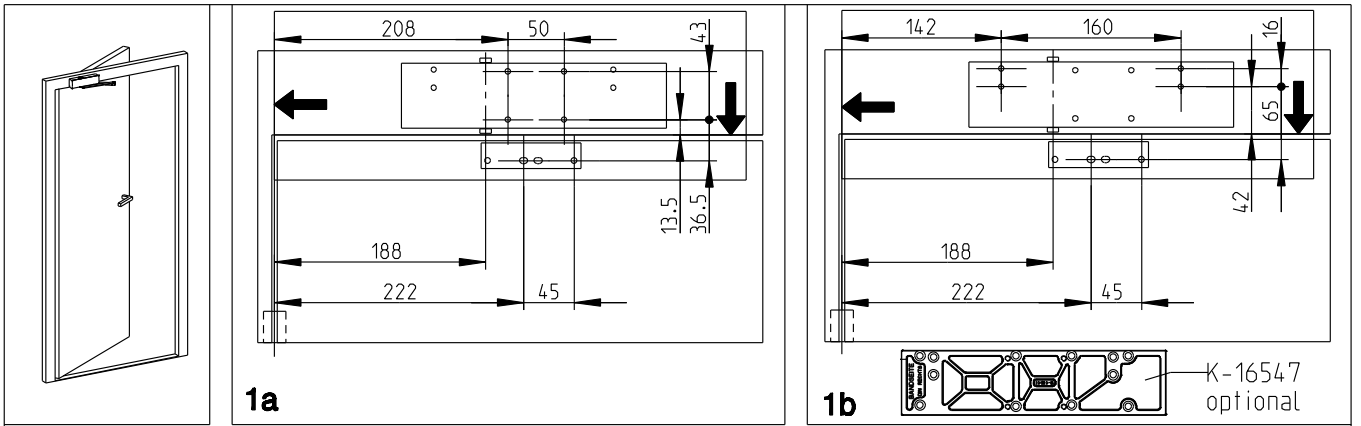


Description  
**OTS 430 /OTS 430 BC Kopfmontage Bandgegenseite,DIN links K-17051/K-17982/K-17983**  
**OTS430/430BC transom mount.opposite hinge side,DIN left K-17051/K-17982/K-17983**

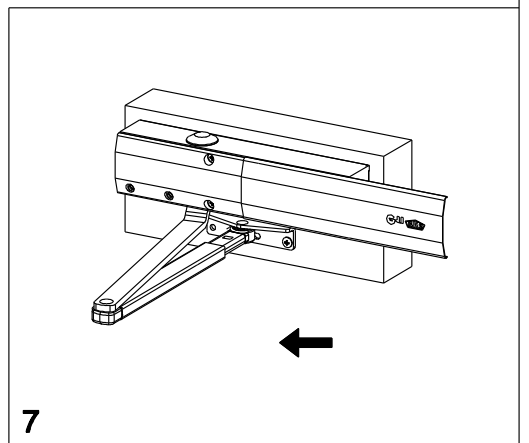
	Release No. --	Level released	Scale %		Modification 2	Size 4
	Mod. No. G23775	Ver. --	Si		Drawing No. <b>0-45360-PF</b>	Sheet 3/4
	Replacement for M-00097, M-00112		Draft 17.02.2010	Se		

20080521

Proprietary rights apply in accordance with ISO 16016.



Schließkraft closing force		
EN	≤ B	U
2	850mm	0
3	950mm	0
4	1100mm	+ 6
5	1250mm	+16



Description  
**OTS 430/OTS430 BC Kopfmontage Bandgegenseite, DIN rechts K-17051/K-17982/K-17983**  
**OTS430/430BC transom mount.opposite hinge side, DIN right K-17051/K-17982/K-17983**

	Release No. --	Level released	Scale %	Modification 2	Size 4
	Mod. No. G23775	Ver. --	Si	Drawing No. <b>0-45360-PF</b>	Sheet 4 / 4
	Replacement for M-00097, M-00112				Se

20080521